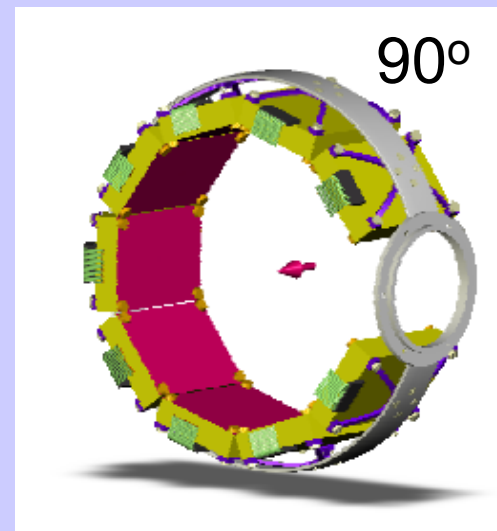
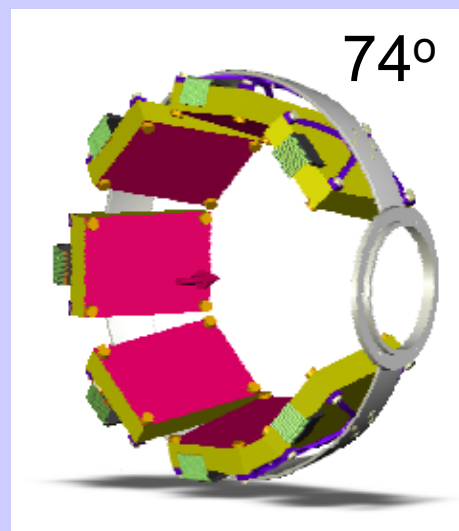
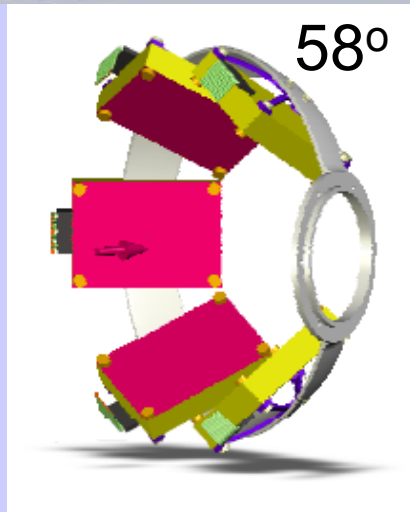
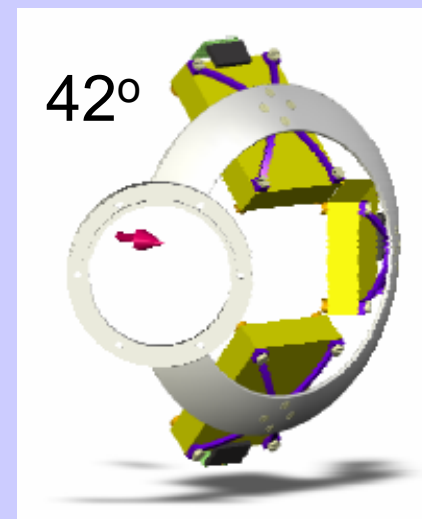
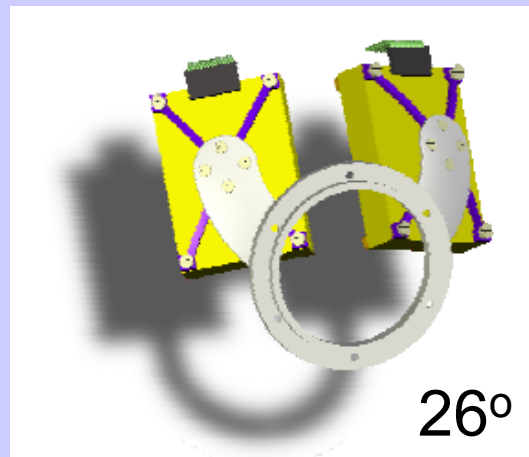
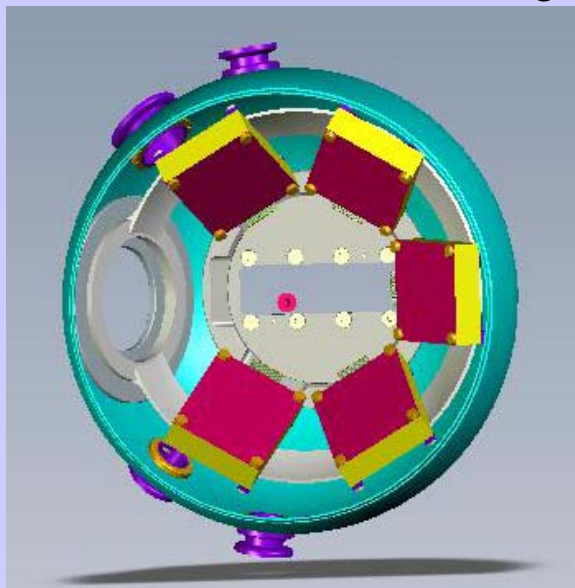


Introduction:
Ancillary/Complementary detectors
for the AD at LNL

The DANTE array

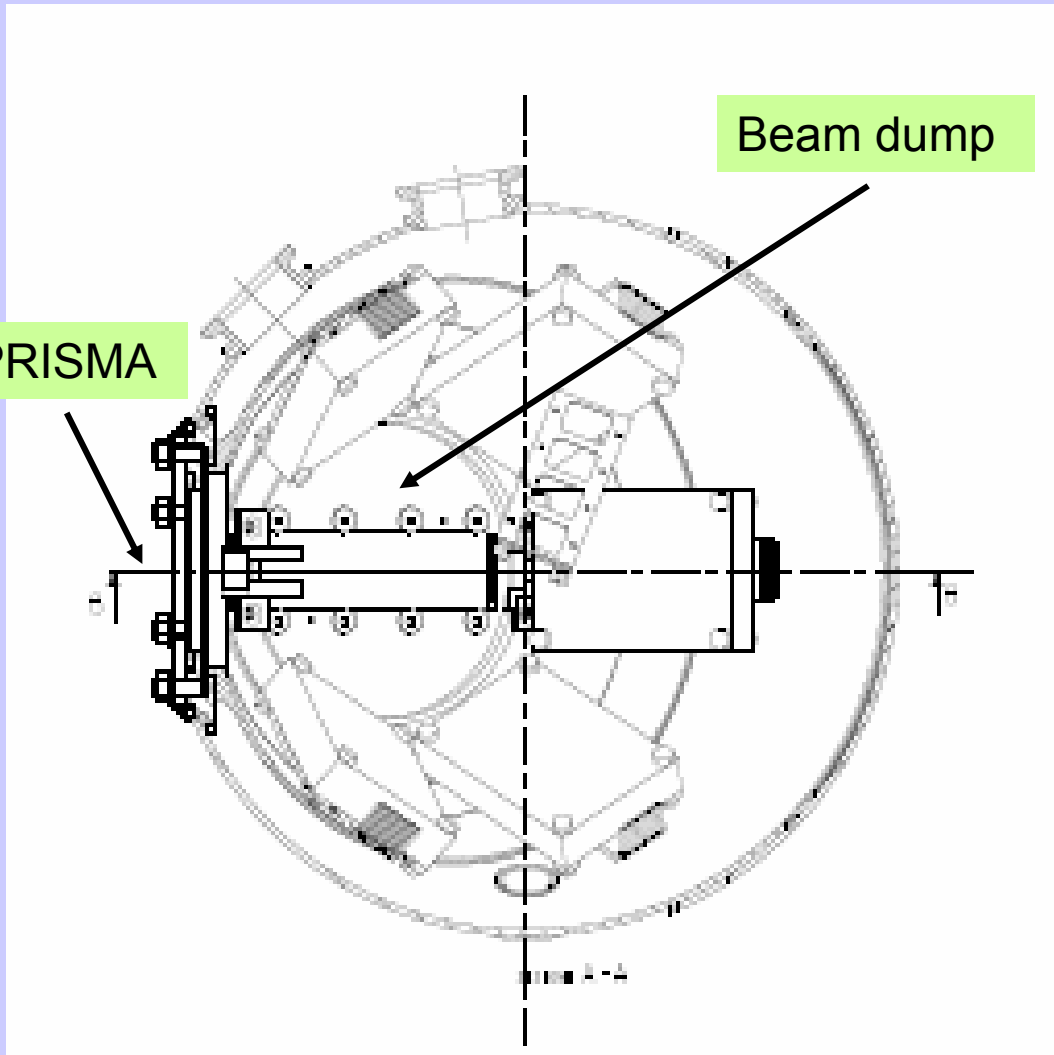
Versatility of DANTE

Use of different configurations depending on the Grazing angle of the reaction



The ancillary DANTE

Detector array for multi-nucleon transfer ejectiles



Ring for DANTE built in Al
Low γ absorption

B. Million, S. Coelli, A. Gadea

INFN-Milano-LNL

The ancillary HELENA

Multiplicity filter

S. Coelli – Mechanical solution to mount HELENA within the AD frame.

