



***Strasbourg
scanning table :
preliminary tests***

François DIDIERJEAN

Marie-Hélène SIGWARD

Gilbert DUCHENE

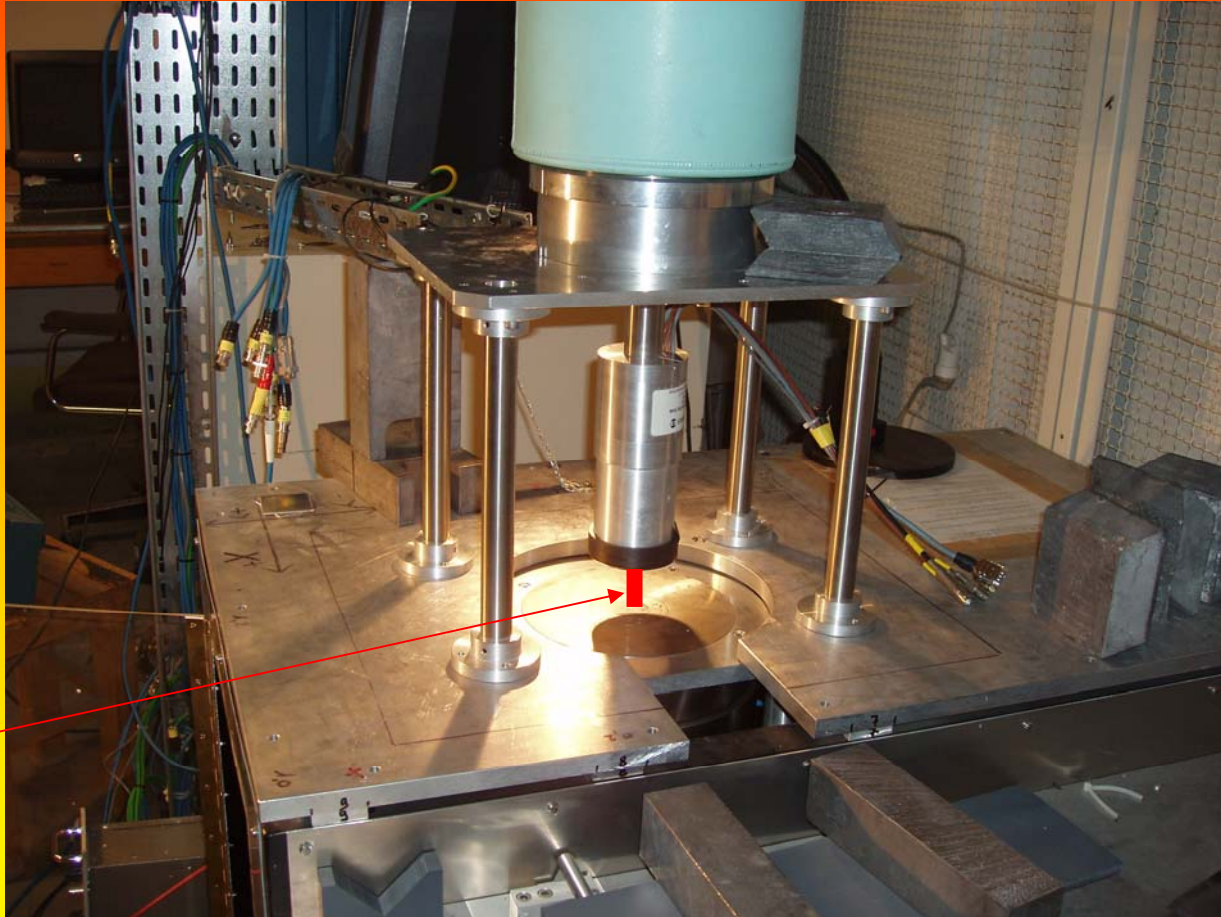
**AGATA WEEK, Cologne,
30 march – 1 april 2009**

Pictures of the scanning table at Strasbourg



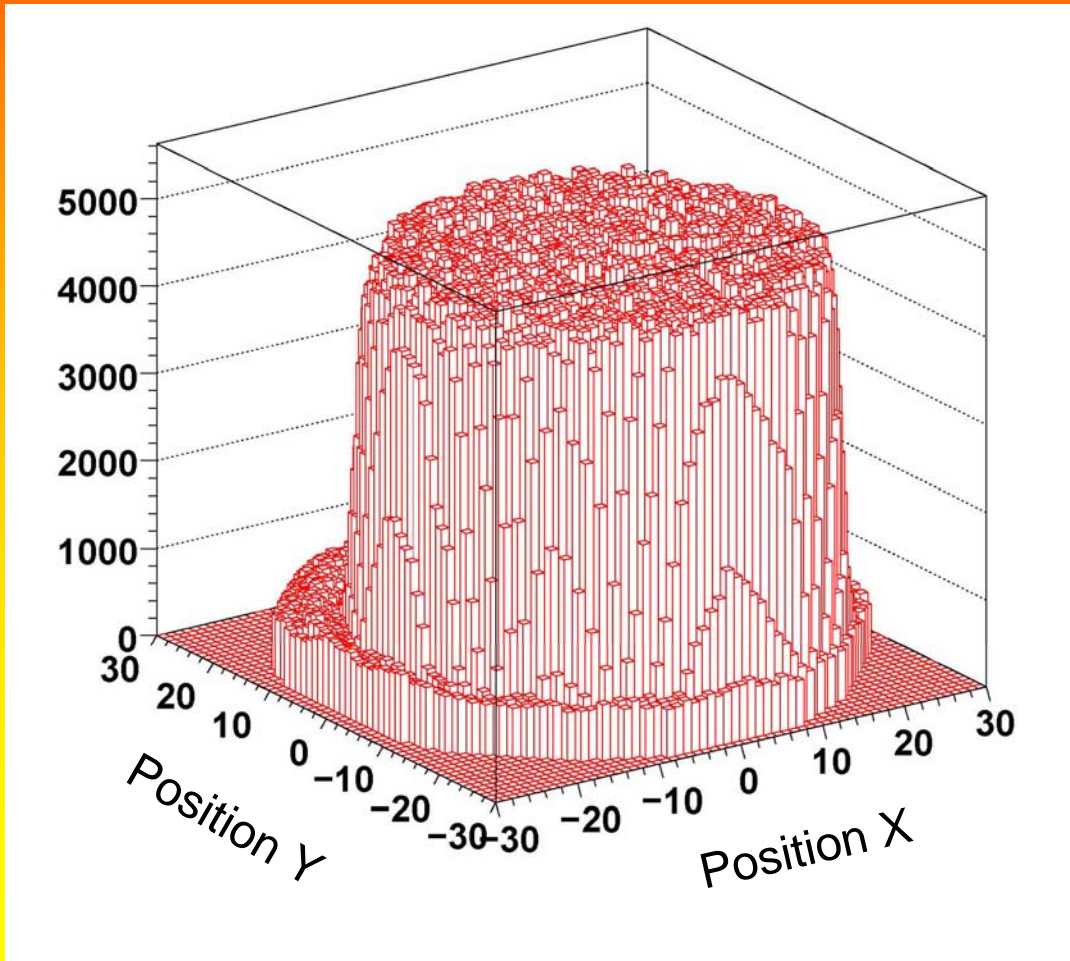
Ge planar detector (GSI) – Set up for Am scan

^{241}Am



Americium X,Y scanning

→ to determine the precise position of the Ge cristal



It corresponds to a scan of 1mm step.

Ge planar detector (GSI) – Set up for Cs scan

Ge detector

374 keV

662 keV

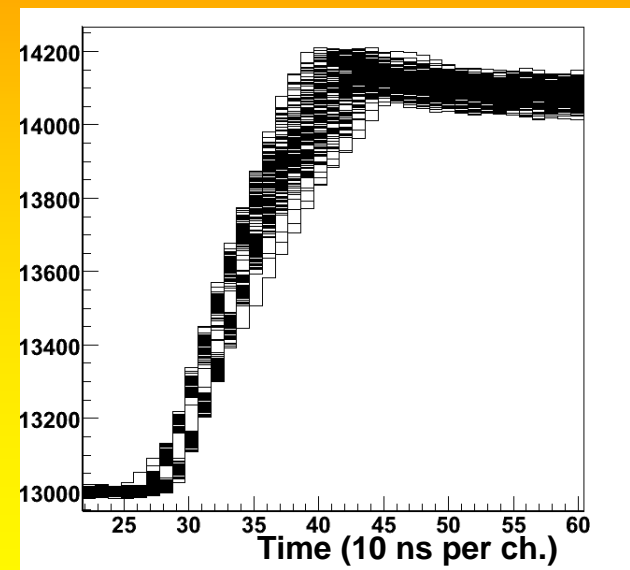
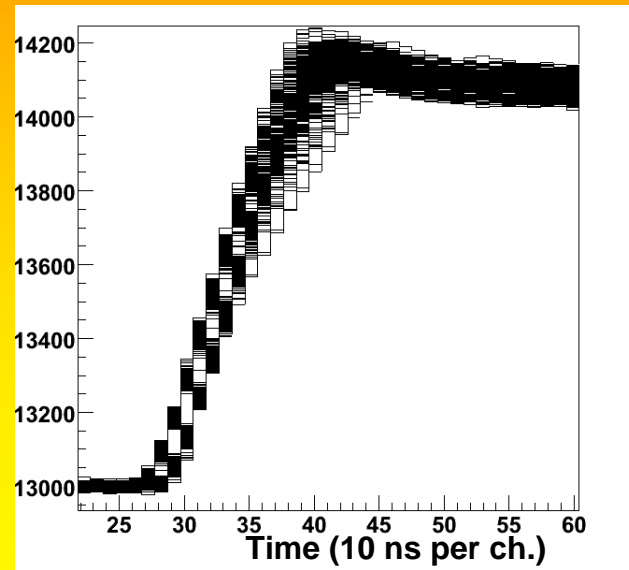
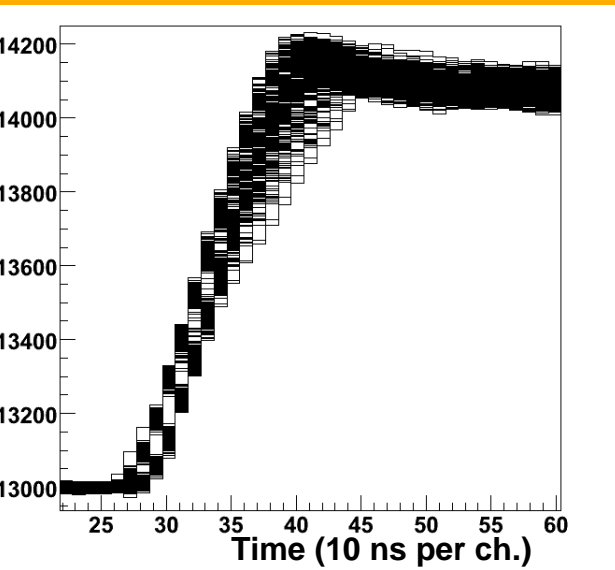
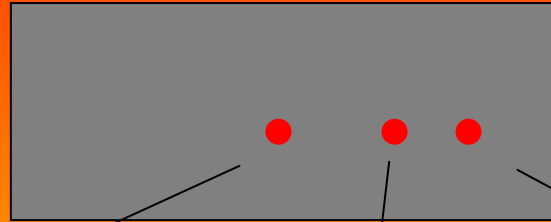
^{137}Cs



The data are registred for coincidences in 300 ns window and for energy conditions :
+/- 10 keV at 374 keV in the Ge
+/- 100 keV at 290 keV in the BGO

Pulse shape (1)

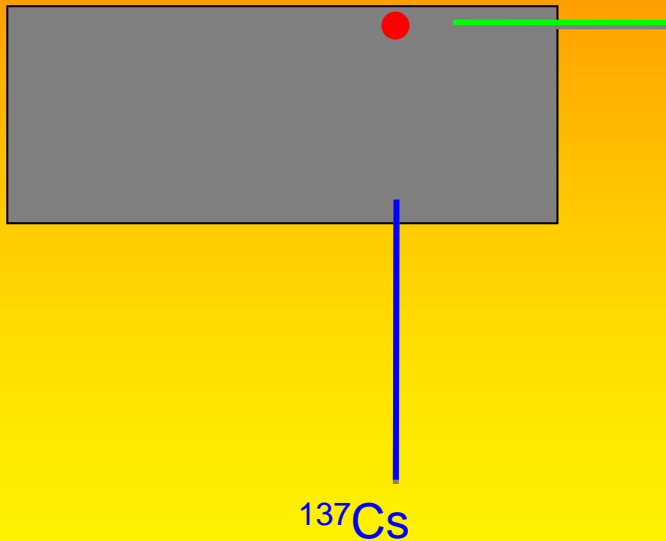
Scan along the radius of the crystal for a given height



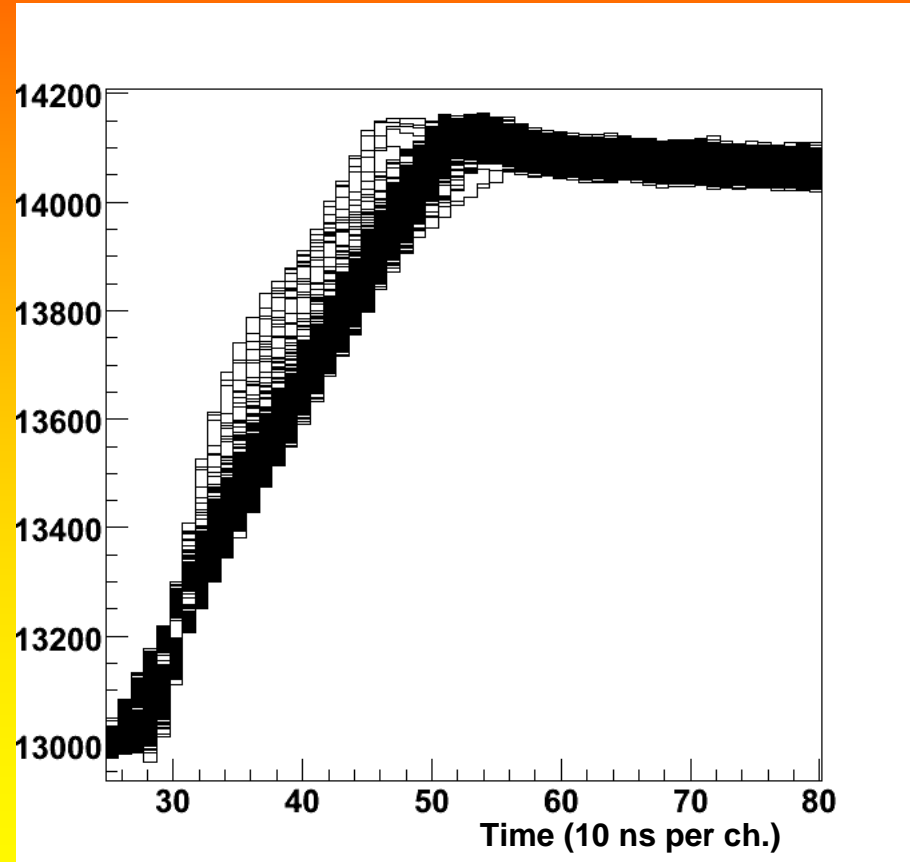
The 3 sets of pulse shape are similar as expected

Pulse shape (2)

a vertical scan at a
given radius.
along the charge
carrier collection line

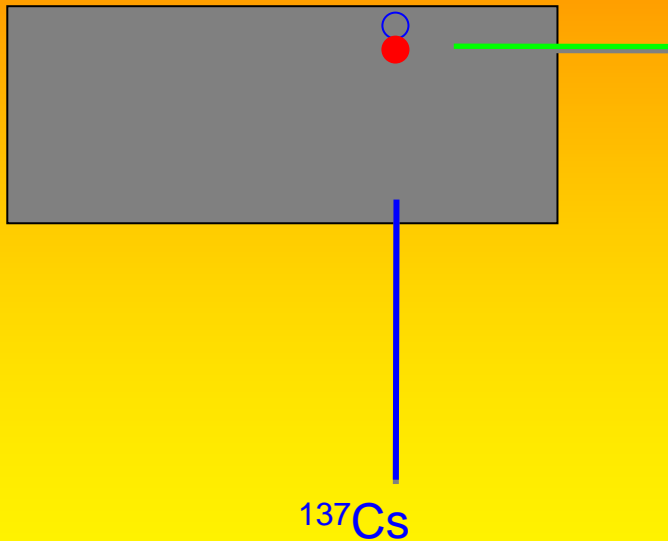


the pulse shapes change with Z

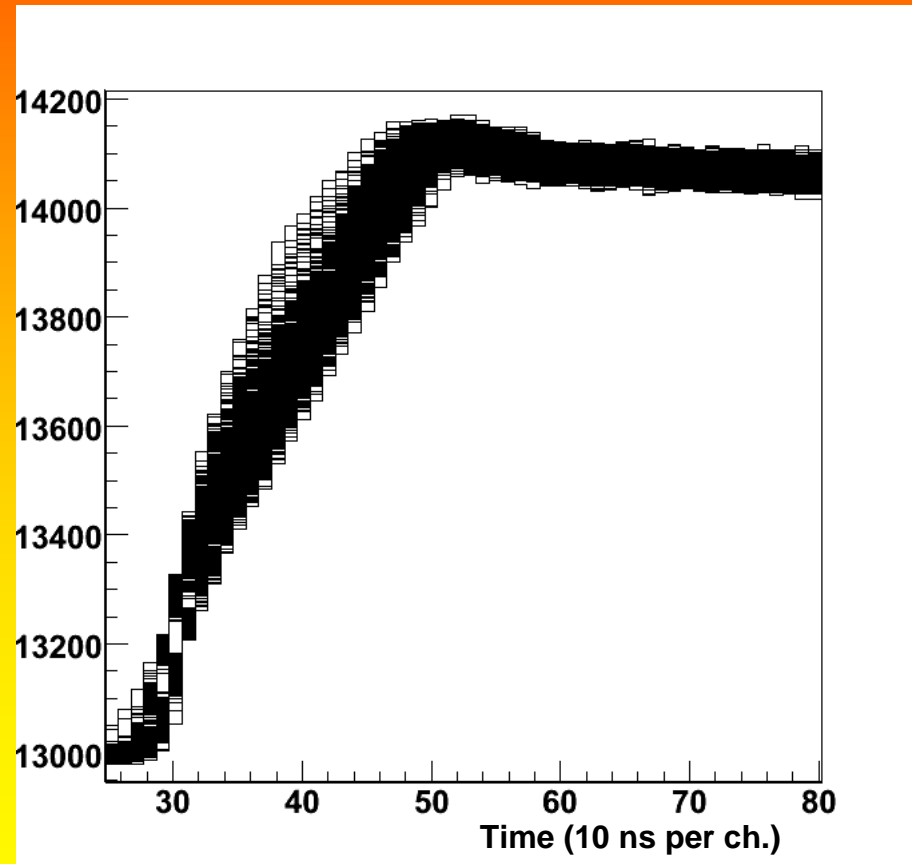


Pulse shape (3)

a vertical scan at a
given radius.
along the charge
carrier collection line

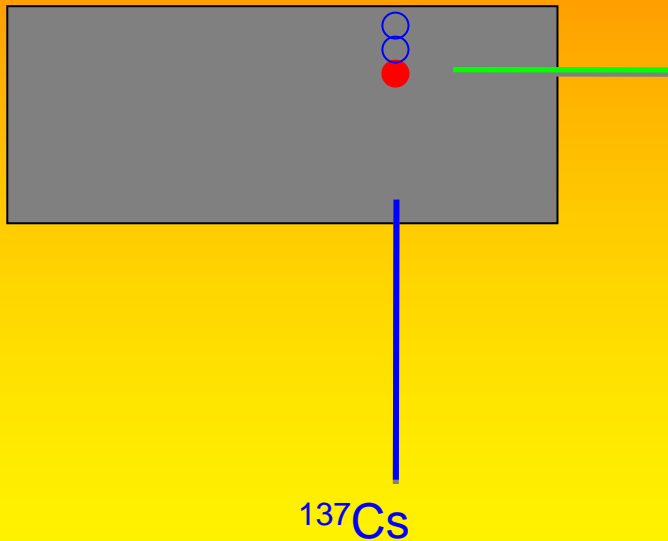


the pulse shapes change with Z

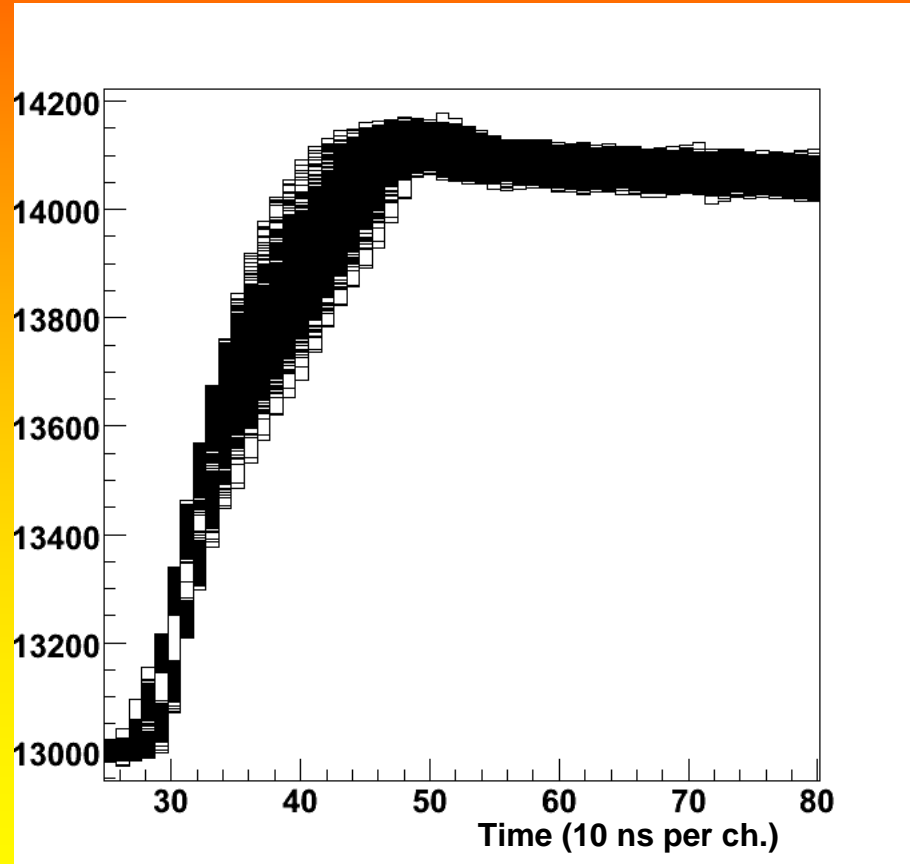


Pulse shape (4)

a vertical scan at a given radius.
along the charge carrier collection line

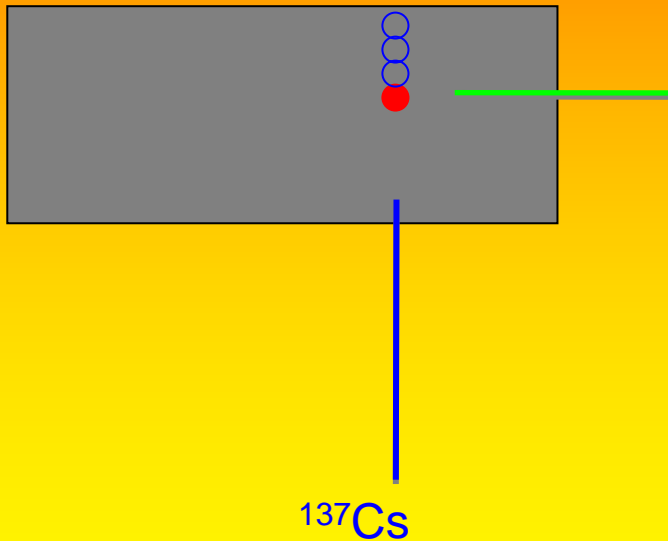


the pulse shapes change with Z

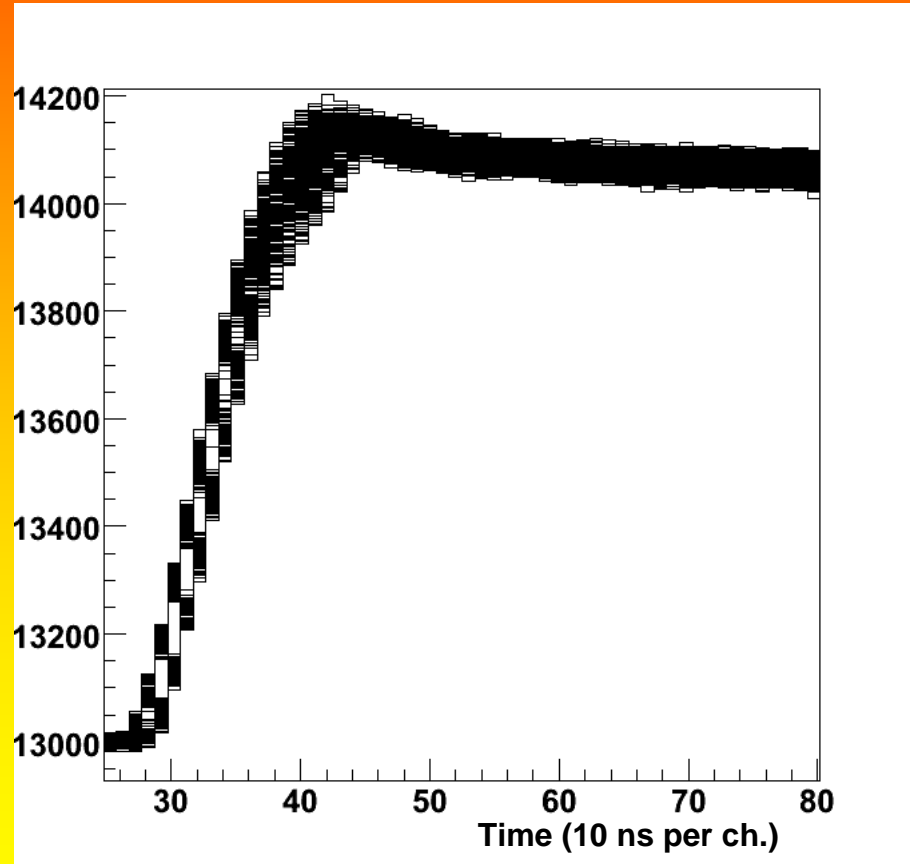


Pulse shape (5)

a vertical scan at a given radius.
along the charge carrier collection line

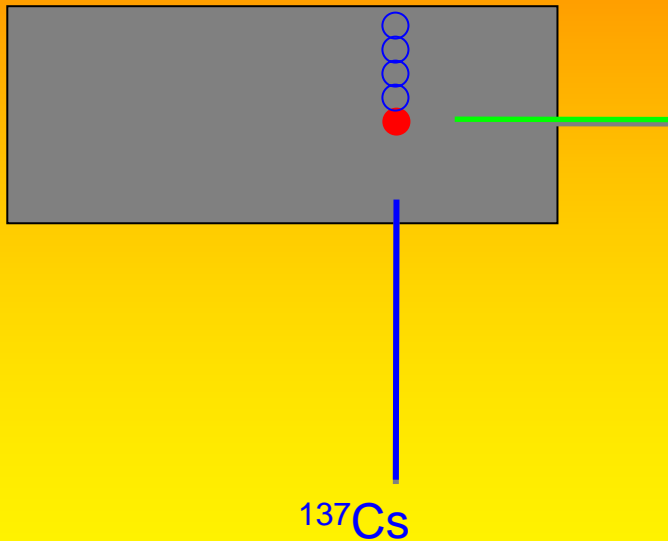


the pulse shapes change with Z

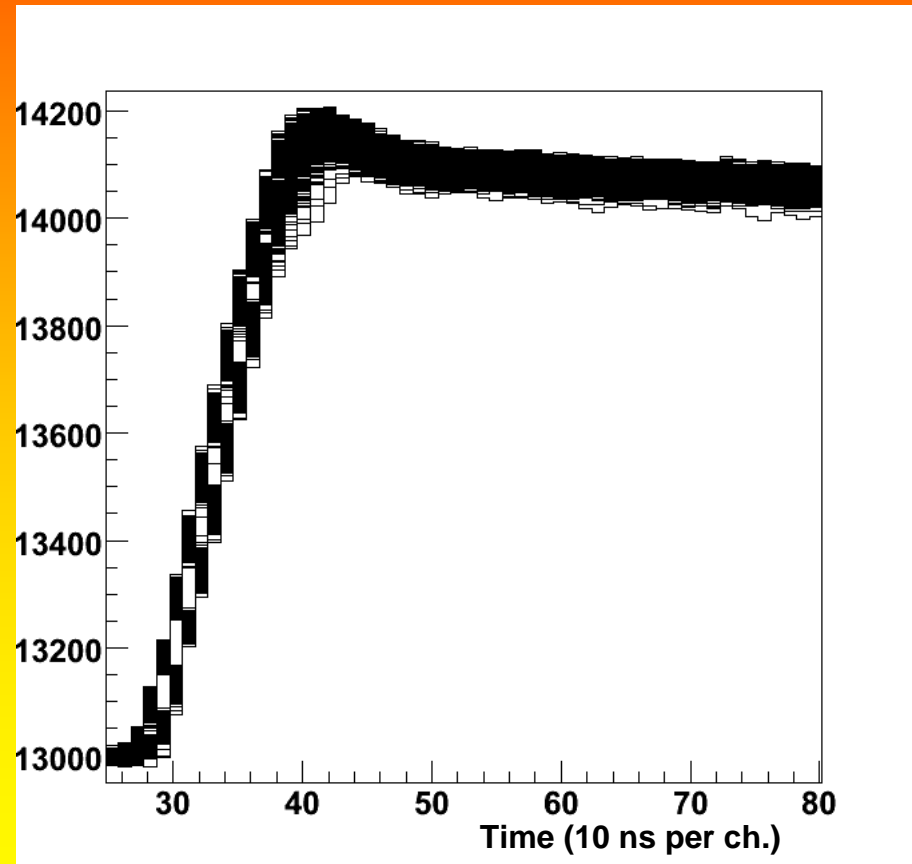


Pulse shape (6)

a vertical scan at a given radius.
along the charge carrier collection line

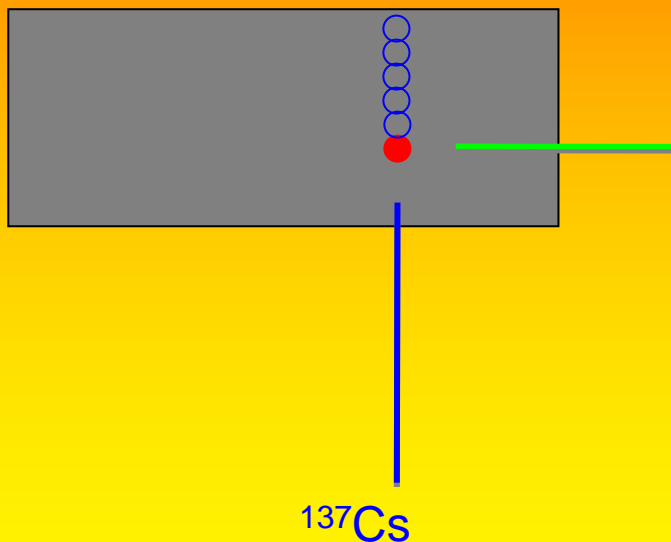


the pulse shapes change with Z

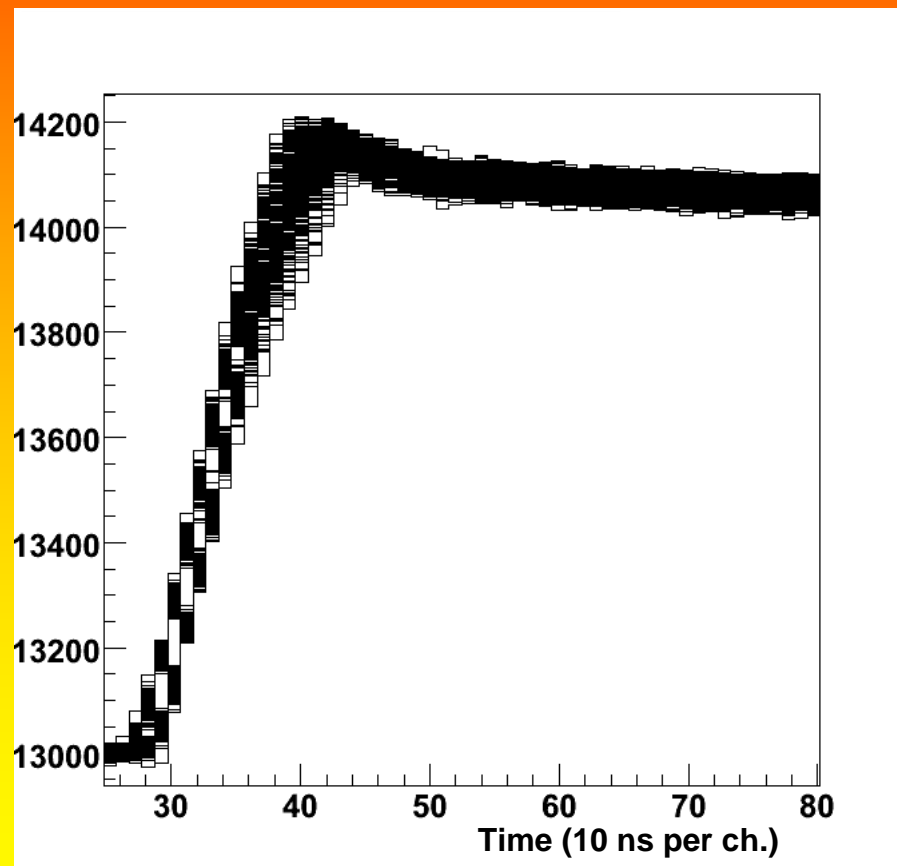


Pulse shape (7)

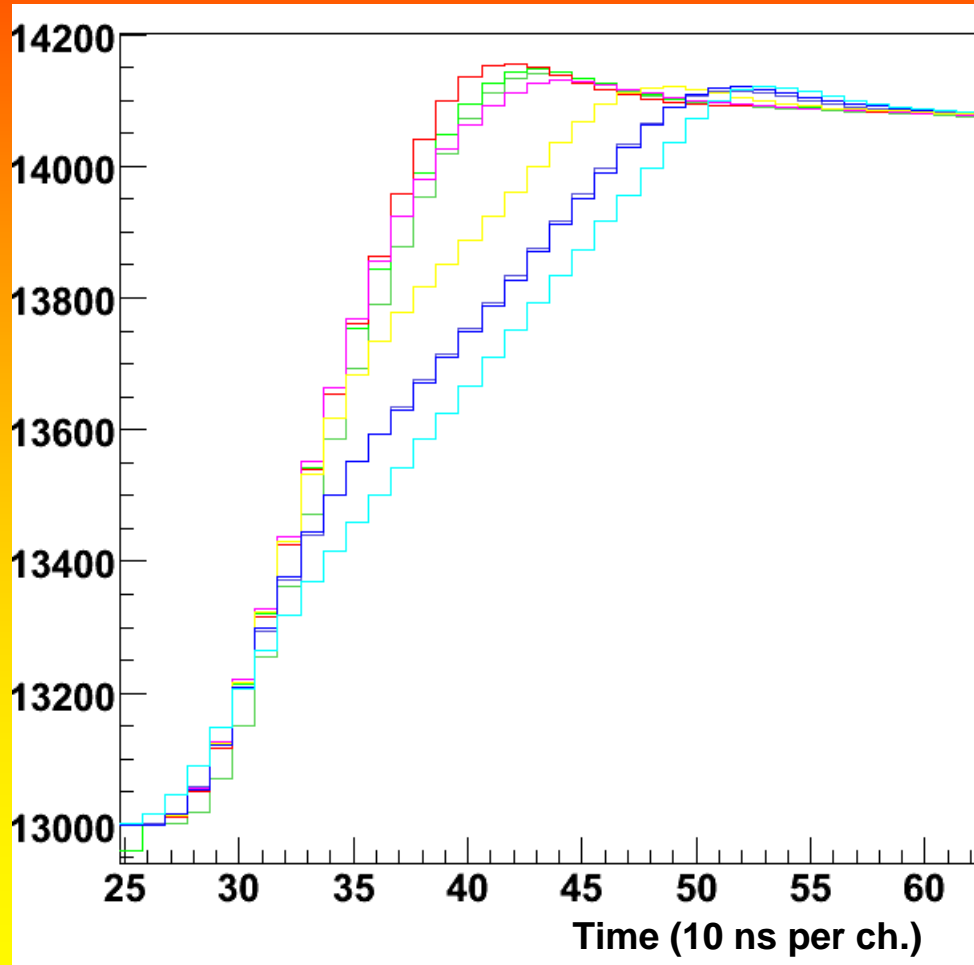
a vertical scan at a given radius.
along the charge carrier collection line



the pulse shapes change with Z



Mean pulse shape



progressive change
of the shape with Z

19 mm
16 mm
14 mm
11 mm
9 mm
6 mm

TO DO list 2009 :

- ***Scan of a non segmented coaxial det. (GSI)***
- ***Scan of a segmented planar det. (Strg)***
- ***Comparison with the GSI data for both detectors***
- ***Implementation of the final geometry***

(Milan or GSI)