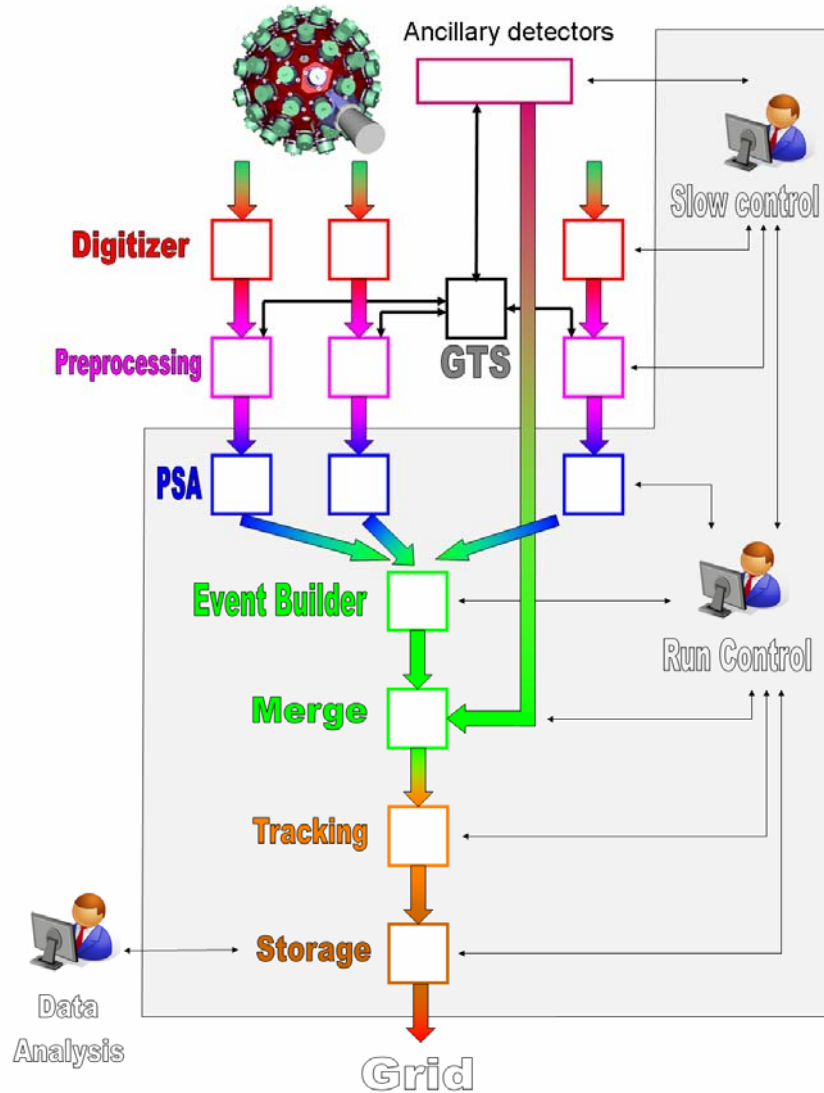




DAQ session 8

Ch. THEISEN

The DAQ WG



Teams :

- Data acquisition (X. Grave)
- Run Control & GUI (G. Maron)

Tasks :

1. Main Data Flow.
2. DAQ services.
3. Slow control integration.
4. Hardware and software installation and handling.
5. Local infrastructure.
6. Overall integration.


News since last AGATA week

- More hardware installed. We have now 20 pizza boxes (9 common + 9 crystals + 2 DA) for 3 TC and 64 TB disk installed. 2 (+1) workstations.
- Still need :
 - 9 pizza boxes (to operate a total of 6 TC)
 - Small disk array for backup
 - Some switches and other little hardware



News since last AGATA week



- DAQ box used now in real conditions
 - Tests week 51, 8 and 12
 - Connections with FEE. Full chain from detectors to disk with pre-processing, PSA, EB and tracking algorithms. ADF data format
 - Control using the cracow GUI and connection with RC
 - GRU spectra
- 1 kHz specification OK
- Transfer to bologna Grid Tier 1
- Wiki documentation being filled
 - <http://csngwinfo.in2p3.fr/mediawiki> 
- Contribution to Agata TDR
- SC progressing (slowly). See sessions 7 and 9.

News since last AGATA week



- Lot of progresses since last months.
- DAQ works basically, but still a lot of work to have a full demonstrator running smoothly. Need now to improve / debug / experience the system.
- Feedback from users is very important !
- Many thanks to DAQ WG for hard work, past and future.

<http://csngwinfo.in2p3.fr/>

<http://csngwinfo.in2p3.fr/mediawiki>

Agenda



- **Ch. Theisen**, introduction
- **E. Calore**, Infrastructure and services overview
- **L. Legeard**, GRU
- **X. Grave**, The Data flow
- **P. Molini**, The Services
- **D. Mengoni**, User libraries: the data-flow algorithms
- **Demo** (if technically possible)



services

- Workstation
- Acquisition software
- Grid information

narval and algorithms

- NARVAL overview
- NARVAL interfaces
- Agata Data Flow
- Algorithms
- How to debug

slow control

- User Interface
- Software
- Infrastructure

fee

- Digitizer
- Carrier
- GTS
- Segments / Core

system administration

- Topology
- Access to experiment account
- Specific services
- Hardware list

navigation

- Oldstuff
- Recent changes
- Random page

search

article discussion edit history

Log in / create account

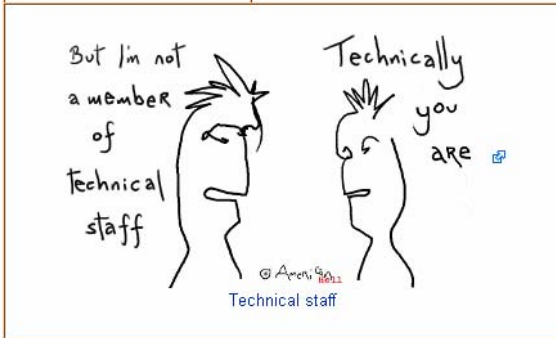
Main Page



Lambda physicist



Skilled physicist



Ressources

