

**PROTECTION**  
 - Sandblasting before painting  
 - 1 Layer anti-rust coating  
 - 2 Layers of synthetic coating, yellow RAL 2000 except machining surfaces

**PROTECTION**  
 - Sablage  
 - 1 couche peinture antirouille  
 - 2 couches de peinture synthétique jaune RAL 2000 sauf faces usinées

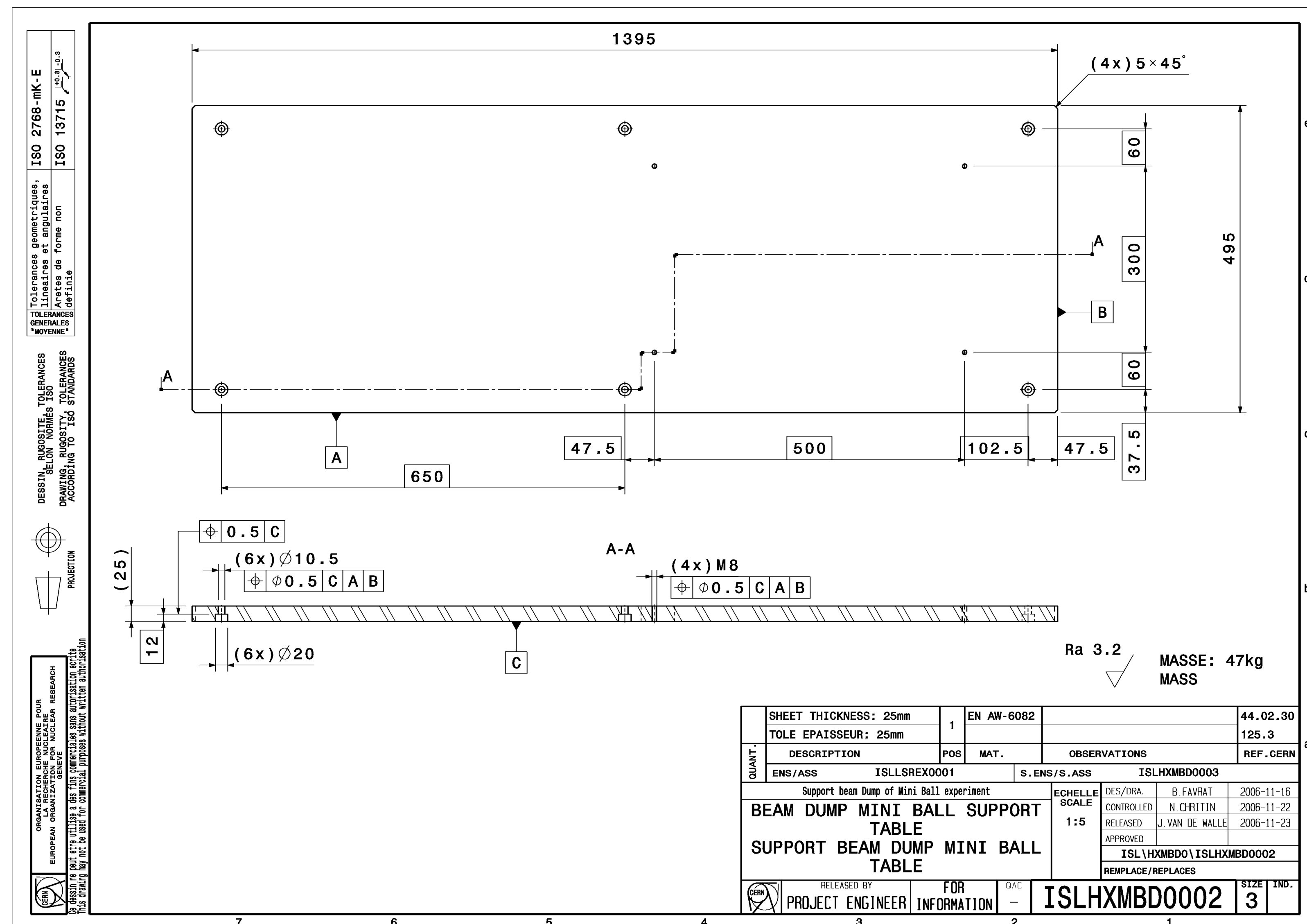
(Ra3.2) 4 111 MASSE: 55kg  
 MASS

QUANT.	DESCRIPTION	POS.	MAT.	OBSERVATIONS	REF. GER.
6	FLAT H11 60X30X160	3	FE360C		44.39.02
	MEPLAT ETIRE TOL H11 60X30X160		ACIER		460.5
2	ST.FL.B 100x15x500	2	ST.S235JR		44.39.02
	MEPLAT 100x15x500		AC.S235JR		584.4
1	L 80x80x8	1	Acier		44.47.02
					080.8

ENS./ASS.	ISLHMB0001	S.ENS/S.ASS.	ISLHMB0003
Support beam Dump of Mini Ball experiment			
<b>BEAM DUMP MINI BALL SUPPORT</b>		ECHELLE	205/204
<b>SUPPORT BEAM DUMP MINI BALL</b>		ROULE	CONTRÔLE
<b>CHASSIS</b>		1:5	RELASÉ
REPLACE/REPLACES		ISLHMB0001 ISLHMB0001	
PROJECT ENGINEER INFORMATION		ISLHMB0001	

DESIGNED BY: ISLHMB0001  
 DRAWING NO: ISLHMB0001  
 DATE: 2006-11-22  
 PROJECT: BEAM DUMP MINI BALL SUPPORT CHASSIS  
 SCALE: 1:5  
 RELEASED BY: J. VAN DE WALLE  
 APPROVED BY: J. VAN DE WALLE  
 CHECKED BY: J. VAN DE WALLE  
 DRAWING NO: ISLHMB0001  
 DATE: 2006-11-22  
 PROJECT: BEAM DUMP MINI BALL SUPPORT CHASSIS  
 SCALE: 1:5  
 RELEASED BY: J. VAN DE WALLE  
 APPROVED BY: J. VAN DE WALLE  
 CHECKED BY: J. VAN DE WALLE  
 DRAWING NO: ISLHMB0001  
 DATE: 2006-11-22  
 PROJECT: BEAM DUMP MINI BALL SUPPORT CHASSIS  
 SCALE: 1:5  
 RELEASED BY: J. VAN DE WALLE  
 APPROVED BY: J. VAN DE WALLE  
 CHECKED BY: J. VAN DE WALLE

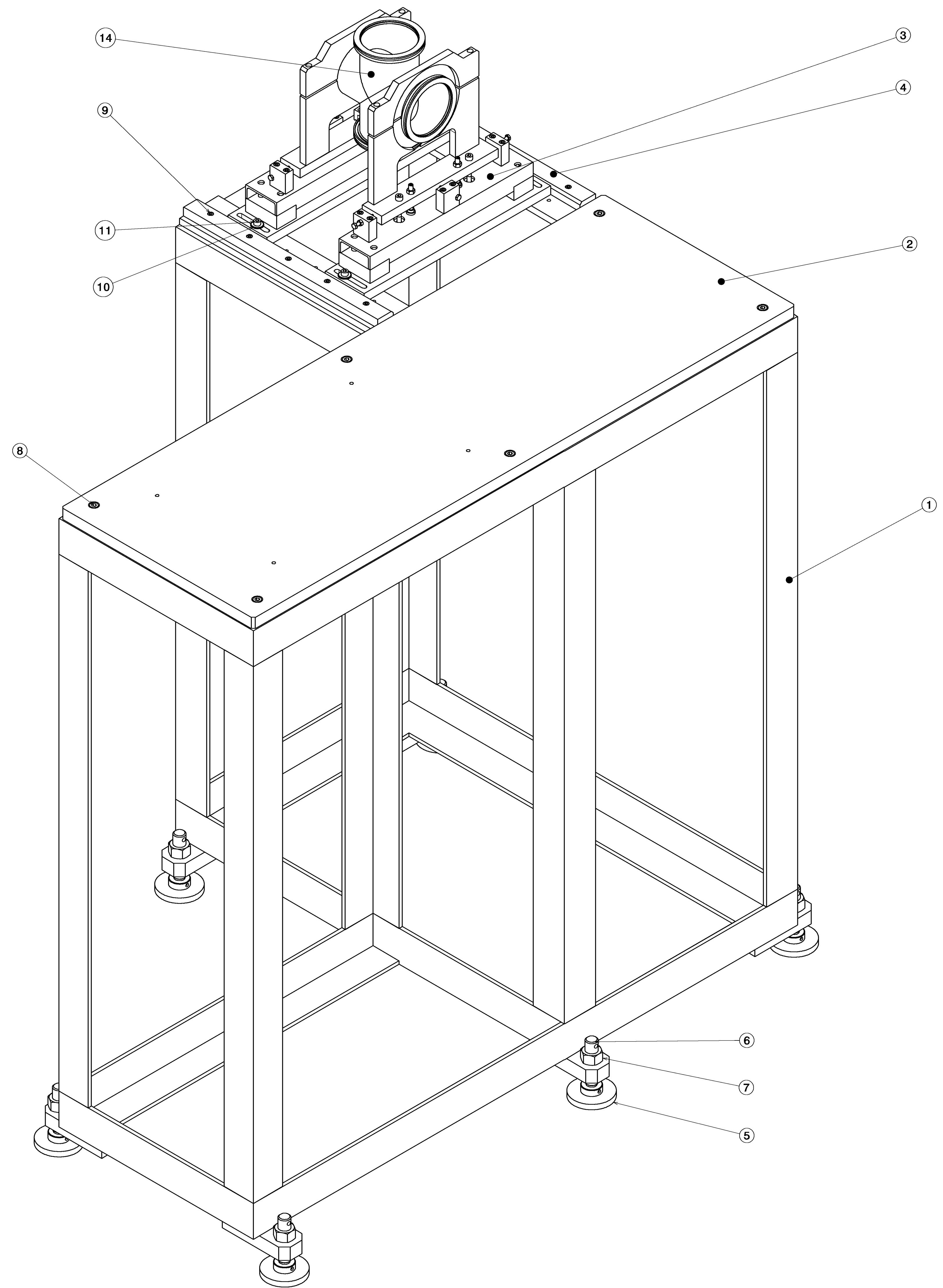
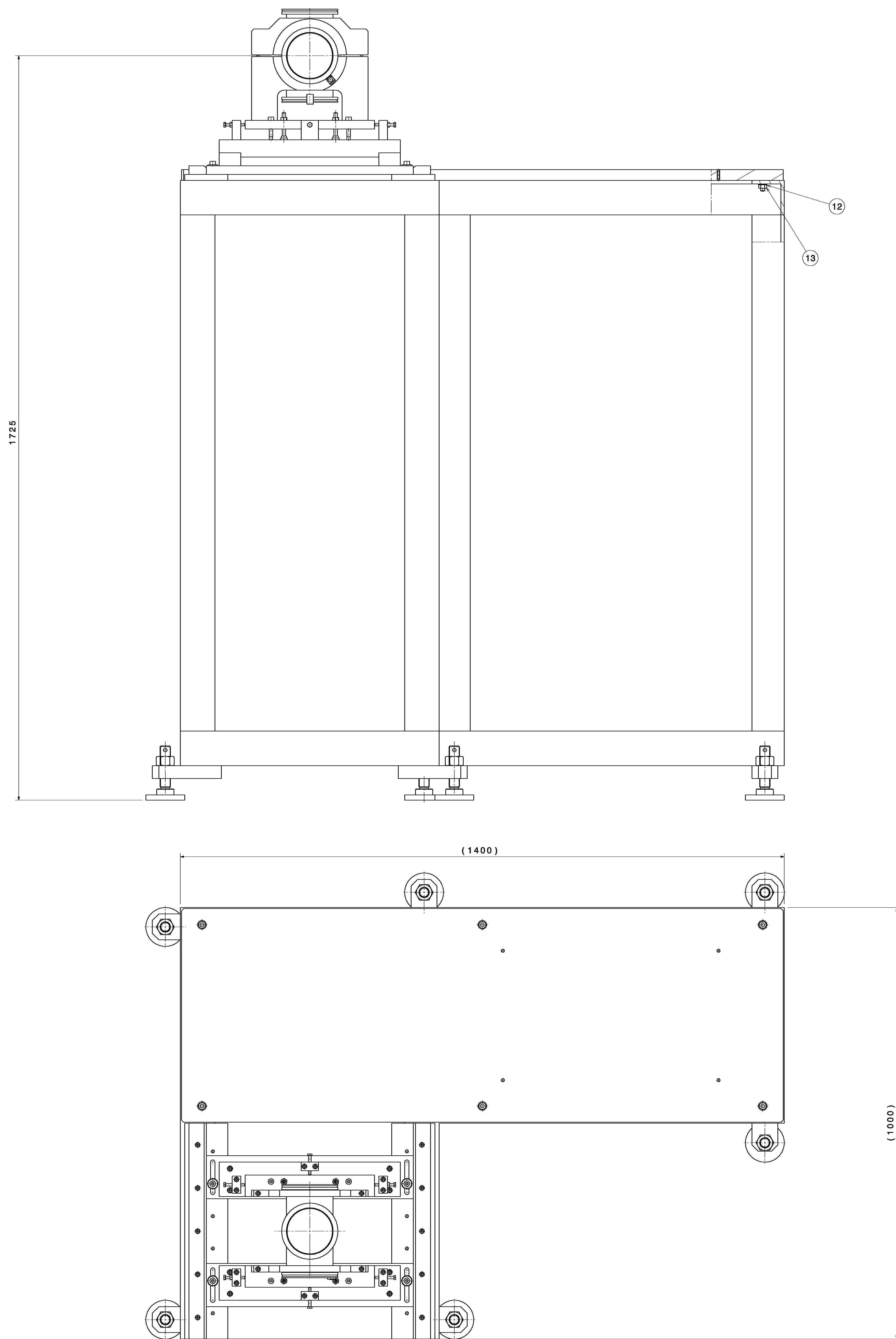


ISO 2768-mk-E  
 ISO 13715

DENSITE' NUMERIQUE DES TOLERANCES  
 NUMERICAL DENSITY OF TOLERANCES  
 DENSIDAD NUMERICA DE LAS TOLERANCIAS  
 NUMERICAL DENSITY OF TOLERANCES

44.02.30  
 125.3

QUANT.	DESCRIPTION	POS.	MAT.	OBSERVATIONS	REF. CERN
1	EN AW-6082				44.02.30
1	EN AW-6082				125.3
1	ISLSREX0001				ISLHXMBD0003
Support beam Dump of Mini Ball experiment					
BEAM DUMP MINI BALL SUPPORT TABLE			ECHELLE 1:15 DES/DRA. B. FAVRAT 2006-11-16 CONTROLLED N. OHTIIN 2006-11-22 RELEASED JJ. VAN DE WALLE 2006-11-23		
SUPPORT BEAM DUMP MINI BALL TABLE			APPROVED ISLHXMBD001/ISLHXMBD0002 REPLACE/REPLACES		
RELEASER PROJECT ENGINEER			FOR INFORMATION		DATE
ISLHXMBD0002			SIZE		1/3



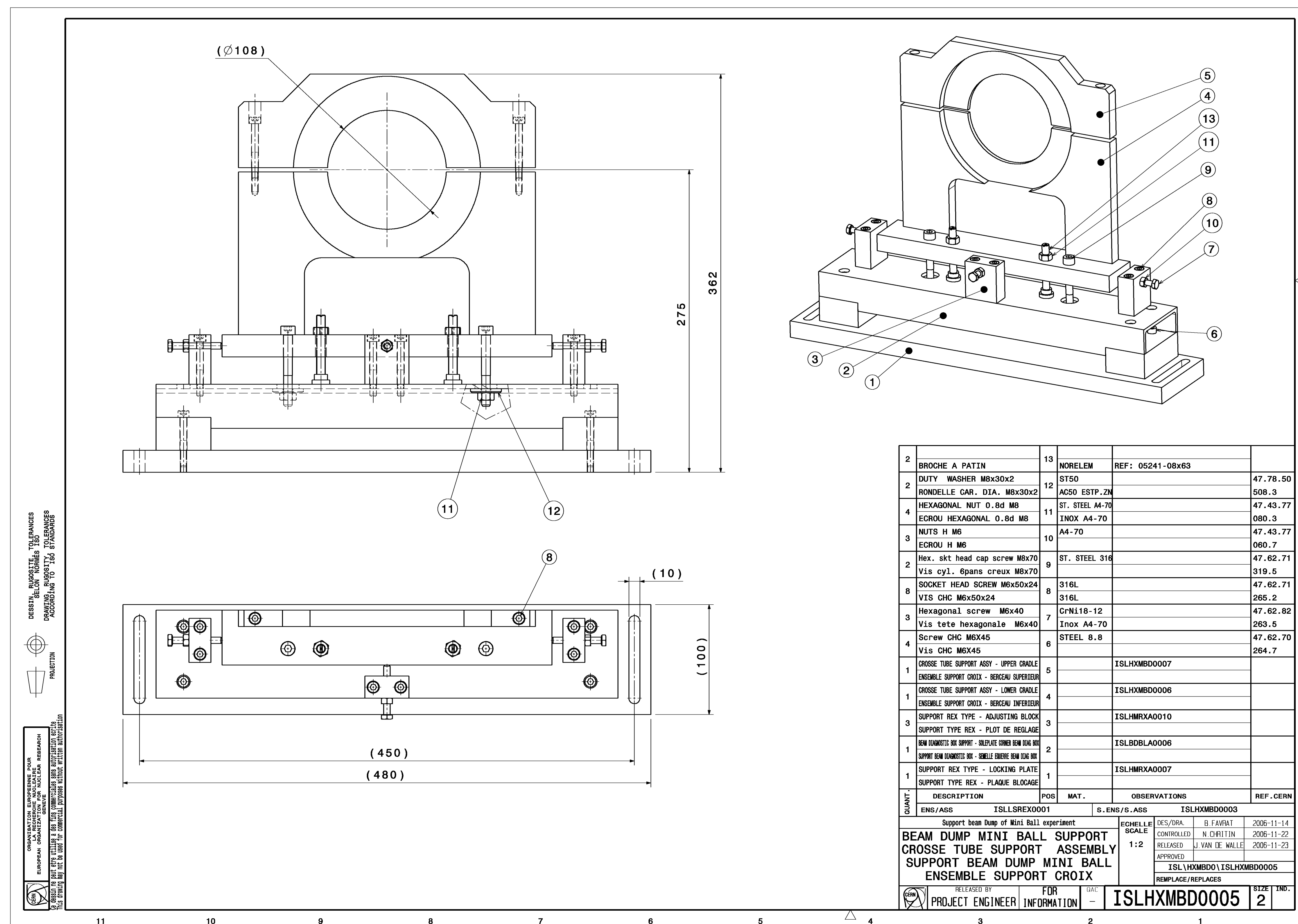
MASSE: 125kg  
MASS

QUANT.	DESCRIPTION	POS	MAT.	OBSERVATIONS	REF. GERN
1	CROSSE TUBE Ø108	14	ISO FLANGE TYPE NH100		
1	CROIX Ø108	14			
6	HEXAGONAL NUT 0.8d M10	13	ST. STEEL A4-70		47.43.77
13	ECROU HEXAGONAL 0.8d M10	13	AC. INOX A4-70		100.6
6	PLAIN WASHER M10	12	A4-70		47.78.15
6	RONDELLE PLATE M10	12			010.4
4	WASHER M8	11	STAINLESS STEEL		47.78.15
11		11			008.8
4	CYL. SCREW M8 x 35	10	Stainless Steel		47.62.71
10	VIS CHG M8 x 35	10			312.2
10	SOCKET HEAD SCREW M6x20	9	ST. STEEL		47.62.71
9	VIS CHG M6x20	9	AC. INOX		258.1
6	HEXAGONAL SCREW M10x40	8	A4-70		47.62.82
8	VIS HEXAGONAL M10x40	8			363.2
6	HEX NUTS INOX A4 316 0.8d M24	7			47.43.77
7	ECROU 6P INOX A4 316 0.8d M24	7			224.5
6	SUPPORT REX TYPE - FOOT TREADED ROD	6	ISLHMRXA0006		
6	SUPPORT TYPE REX - TIGE FILETÉE PIED	6			
6	SUPPORT REX TYPE - FOOT	5	ISLHMRXA0005		
6	SUPPORT TYPE REX - PIED	5			
2	BEAM DUMP MINI BALL SUPPORT - OUTIDE	4	ISLHXMBD0004		
2	SUPPORT BEAM DUMP MINI BALL - REGLETTE	4			
2	BEAM DUMP MINI BALL SUPPORT - BASE	3	ISLHXMBD0003		
2	SUPPORT BEAM DUMP MINI BALL - ENSEMBLE SUPPORT DECI	3			
1	BEAM DUMP MINI BALL SUPPORT - TABLE	2	ISLHXMBD0002		
1	SUPPORT BEAM DUMP MINI BALL - TABLE	2			
1	BEAM DUMP MINI BALL SUPPORT - BASE	1	ISLHXMBD0001		
1	SUPPORT BEAM DUMP MINI BALL - CHASSIS	1			

DESCRIPTION	POS	MAT.	OBSERVATIONS	REF. GERN
Support beam Dump of Mini Ball experiment			ISLHMBD0001	
BEAM DUMP MINI BALL SUPPORT LIGNE MINI BALL SUPPORT BEAM DUMP MINI BALL				
REVISIONS: 01: ISLHMBD001/ISLHMBD0003 02: ISLHMBD0003				
PROJECT ENGINEER INFORMATION FOR ISLHMBD0003				

DESIGNED BY: J. VAN DE WALLE  
 CHECKED BY: J. VAN DE WALLE  
 APPROVED BY: J. VAN DE WALLE  
 DATE: 2006-11-22



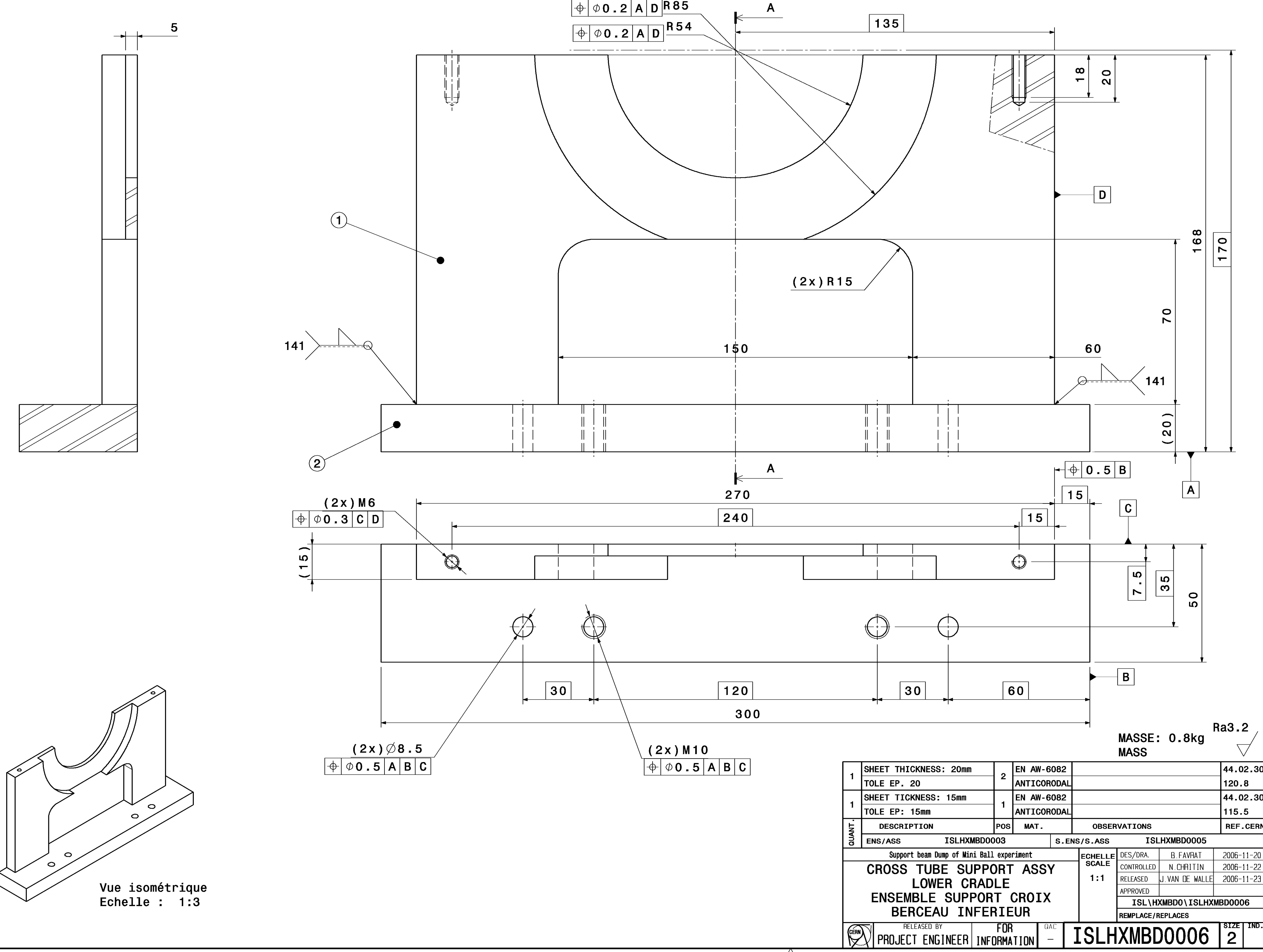


QTY	DESCRIPTION	POS	MAT.	OBSERVATIONS	REF. CERN
2	BROCHE A PATIN	13	NORELEM	REF: 05241-08x63	
2	DUTY WASHER M8x30x2	12	ST50		47.78.50
2	RONDELLE CAR. DIA. M8x30x2	12	AC50 ESTP.ZN		508.3
4	HEXAGONAL NUT 0.8d M8	11	ST. STEEL A4-70		47.43.77
4	ECROU HEXAGONAL 0.8d M8	11	INOX A4-70		080.3
3	NUTS H M6	10	A4-70		47.43.77
3	ECROU H M6	10	A4-70		080.7
2	Hex. skt head cap screw M8x70	9	ST. STEEL 316		47.62.71
2	Vis cyl. 6pans creux M8x70	9	ST. STEEL 316		319.5
8	SOCKET HEAD SCREW M6x50x24	8	S16L		47.62.71
8	VIS CHC M6x50x24	8	S16L		265.2
3	Hexagonal screw M6x40	7	CPW18-12		47.62.82
3	Vis tete hexagonale M6x40	7	INOX A4-70		263.5
4	Screw CHC M6x45	6	STEEL 8.8		47.62.70
4	Vis CHC M6x45	6	STEEL 8.8		264.7
1	CROSSE TUBE SUPPORT ASSY - UPPER CHAILE	5		ISLHXMBD0007	
1	ENSEMBLE SUPPORT CROIX - BERCEAU SUPERIEUR	5		ISLHXMBD0007	
1	CROSSE TUBE SUPPORT ASSY - LOWER CHAILE	4		ISLHXMBD0006	
1	ENSEMBLE SUPPORT CROIX - BERCEAU INFERIEUR	4		ISLHXMBD0006	
1	SUPPORT REX TYPE - ADJUSTING BLOCK	3		ISLHMRA0010	
3	SUPPORT TYPE REX - PILOT DE REGLAGE	3			
1	REN D'ARRETS DE SUPP. - SLEPATE OMB REN D'AR	2		ISLBDLA0006	
1	SUPPORT REX TYPE - LOCKING PLATE	1		ISLHMRA0007	
1	SUPPORT TYPE REX - PLAQUE BLOPAGE	1			
DUNIT		ENG/ASS	ISLSREX0001	S.ENS/S. ASS	ISLHXMBD0003
Support beam Dump of Mini Ball experiment		ECHELLE	DES/DRA	B FAYVAL	2006-11-14
BEAM DUMP MINI BALL SUPPORT		SCALE	CONTROLLED	N CHARITIN	2006-11-23
CROSSE TUBE SUPPORT		1:2	RELEASED	L VANI DE WALLE	2006-11-23
SUPPORT BEAM DUMP MINI BALL		APPROVED			
ENSEMBLE SUPPORT CROIX		REPLACE/REPLACES			
RELEASÉ PAR		PROJET ENGINEER	FOR	INFO	ISLHXMBD0005
REPLACÉ PAR					2

Tolerances géométriques, ISO 2768-MK-E  
 Tolérances dimensionnelles et angulaires  
 Tolérances géométriques moyennes

DESIGN, MANUFACTURE, TOLERANCES  
 DIMENSIONS, FINISHES, TOLERANCES  
 DIMENSIONNELLES, FINISHES, TOLERANCES

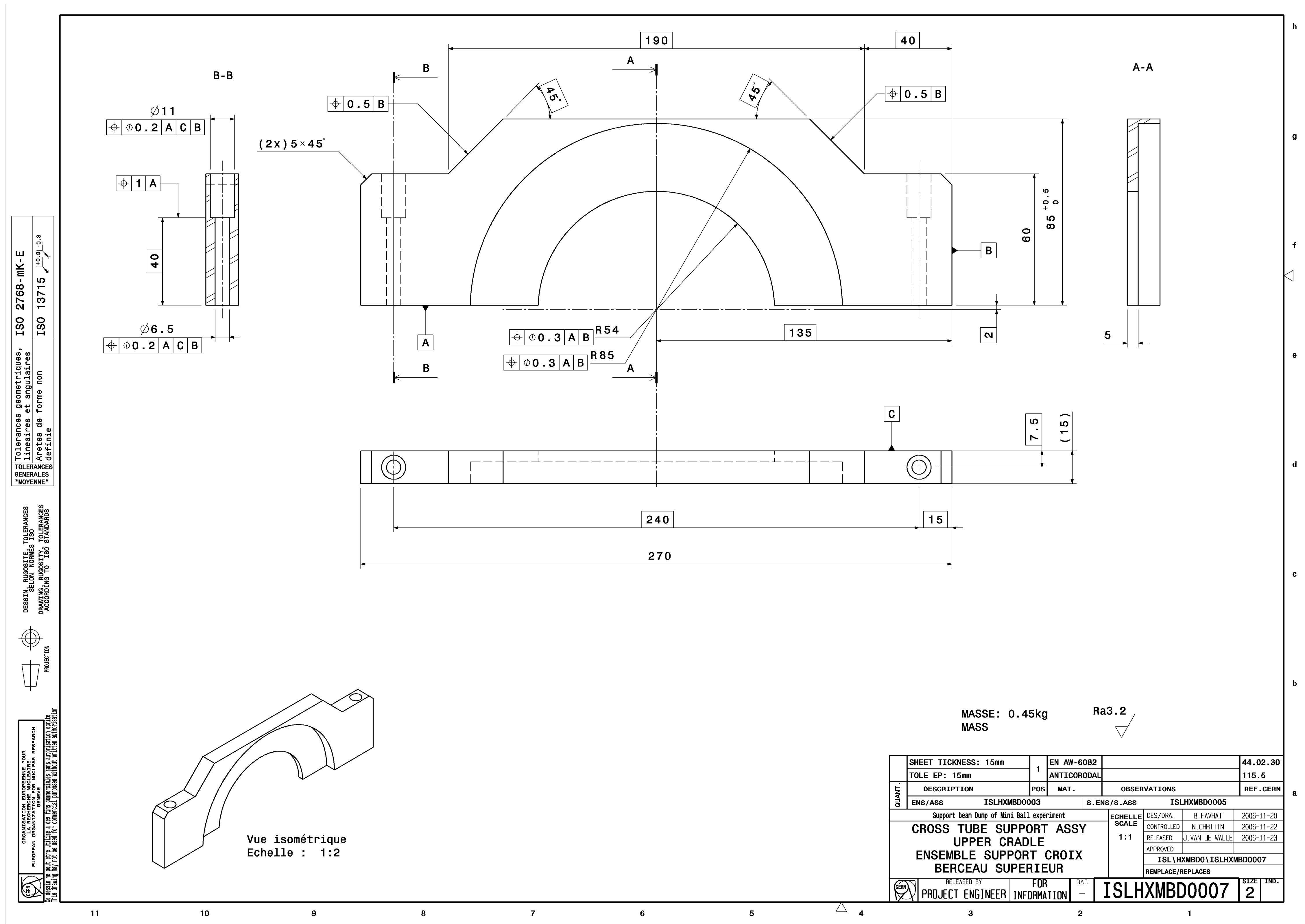
CONSTRUCTION INFORMATION FOR  
 EUROPEAN ADMINISTRATION OF NUCLEAR RESEARCH  
 ORGANISATION (CERN) - CHAMBELEN (VAUD) - SWITZERLAND  
 2006-11-23



Vue isométrique  
 Echelle : 1:3

1	SHEET THICKNESS: 20mm	2	EN AW-6082		44.02.30
	TOLERANCE: 20		ANTICORRODAL		120.8
1	SHEET THICKNESS: 15mm	1	EN AW-6082		44.02.30
	TOLERANCE: 15mm		ANTICORRODAL		115.5
QTY	DESCRIPTION	POS	MAT.	OBSERVATIONS	REF. CERN
ENG/ASS	ISLHXMDD0003	S. ENG/S. ASS	ISLHXMDD0005		
Support base of Mini Bull experiment					
CROSS TUBE SUPPORT ASSY					
LOWER CRADLE					
ENSEMBLE SUPPORT CROIX					
BEREAU INFÉRIEUR					
REPLACE/REPLACES					
PROJECT ENGINEER	FOR INFORMATION	DATE	ISLHXMDD0006	SIZE	NO.
			2		

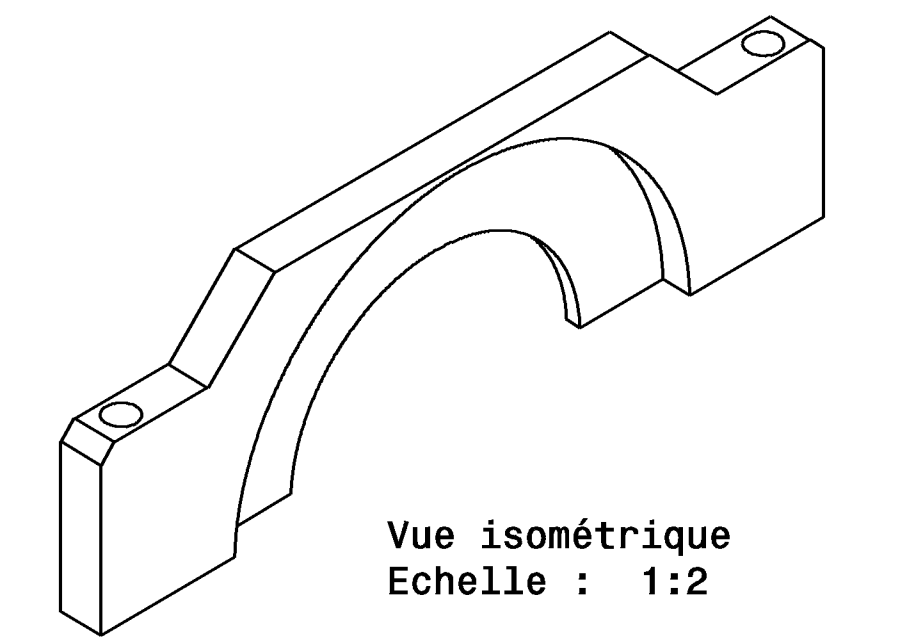
MASSE: 0.8kg  
 Ra3.2



Tolerances géométriques, ISO 2768-mK-E  
 Tolerances geometric, ISO 2768-mK-E  
 Tolerancias geométricas, ISO 2768-mK-E  
 Tolerances geometrische, ISO 2768-mK-E  
 Tolerances geometrische, ISO 2768-mK-E  
 Tolerances geometrische, ISO 2768-mK-E

DESIGN, MANUFACTURE, TOLERANCES  
 DESIGN, MANUFACTURE, TOLERANCES  
 DESIGN, MANUFACTURE, TOLERANCES  
 DESIGN, MANUFACTURE, TOLERANCES  
 DESIGN, MANUFACTURE, TOLERANCES

CONSTRUCTION INFORMATION FOR  
 CONSTRUCTION INFORMATION FOR  
 CONSTRUCTION INFORMATION FOR  
 CONSTRUCTION INFORMATION FOR  
 CONSTRUCTION INFORMATION FOR



MASSE: 0.45kg  
 MASS  
 Ra3.2

SHEET THICKNESS: 15mm	1	EN AW-6082		44.02.30
TOLERANCE: 15mm		ANTICORROSIONAL		115.5
DESCRIPTION	POS.	MAT.	OBSERVATIONS	REF. CERN
ENG/ASS	ISLHXMBO0003	S. ENS/S. ASS	ISLHXMBO0005	
Support base of Mini Bull experiment				
CROSS TUBE SUPPORT ASSY				
UPPER CRADLE				
ENSEMBLE SUPPORT CROIX				
BERCEAU SUPERIEUR				
REVISION BY	FOR	DATE	REPLACE/REPLACES	SIZE
PROJECT ENGINEER	INFORMATION		ISLHXMBO007	2